

CAN-AI4



- CANopen Slave
- Conforms to CiA Draft Standards DS301 - Version 4.0 and DS401 Version 2.0
- Node guarding, Lifeguarding, Heartbeat
- 4 Channel Analog Input channels – (12bit- 0-10v/0-20mA).
- LED indication for communication and power
- DIN rail mount assembly
- Dimension-87.7(L) x 90.2(W) x 32(D) mm.
- DIP switch for CANopen slave configuration
- No configuration software needed
- CE Mark*

General Product Specifications:

Application	Industrial Automation	
Supply	Voltage (typical)	24VDC
	Voltage Range	18-30 VDC
	Connection type	Pluggable connector
	Current	
Communication Interface	CAN bus	
Protocol	CANopen slave	
No. of Analog Input Channels	4 channel -Single ended	
Signal types	0-10V 0-20mA	
Resolution	12 Bit	
Conversion time	0.8 μ s	
Accuracy	+- 1% Full scale at 25°C	
Analog Input Field Connections	2-Wire	
Safety class	II	
Protection	Against surge voltage	
Certification	CE*	

Messung Systems Pvt. Ltd.

501 Lunkad Sky Vista, Viman Nagar, Pune 411 014, India.

T: +91 20 6649 2800 | e: info@messung.com | w: www.messung.com

IP Level	IP20
Operating Temperature	0 to 70 °C
Storage Temperature	-25 °C to +75 °C
Ambient Humidity	5 to 95 % RH (no condensation)
Calibration	Factory-calibration, Field calibration (using FB)
Operation Indicator	LED (Green) for DC power ON, Flickering Green LED to indicate communication
Dimension	87.7(L) x 90.2(W) x 32(D) mm.

Voltage Mode Features			
Input ranges	Range	Resolution	
	0 to 10 V DC	2.44mV	
Accuracy	± 1% of full-scale rating @ 25 °C		
Input Impedance	>1 Mohm		
Noise Suppression Filter - Per Module	Frequency of the noise filter default-50Hz		
Min Value - Per Input	Minimum value for engineering scale	0	
Max Value -Per Input	Maximum value for engineering scale	10000	
Maximum input voltage	10.5 V DC		

Current Mode Features			
Input ranges	Range		
	0-20mA	4.88uA	
Accuracy	± 1% of full-scale rating @ 25 °C		
Input Impedance	250 Ohm		
Noise Suppression Filter - Per Module	Frequency of the noise filter default-50Hz		
Min Value -Per Input	Minimum value for engineering scale	0	
Max Value -Per Input	Maximum value for engineering scale	10000	
Maximum input current	21mA		

*in process

CANOpen Specifications	
NMT	Slave
Error control	Node guarding
Node ID	1 to 127 (Through DIP Switches)
Baud Rate	Manual configuration (20, 50, 125, 250, 500,800,1000 Kbps)
Terminal Resistor	120 ohms (configurable)
No. of PDOs	One TPDO
PDO Transmission Modes	Synchronous, asynchronous, event driven, cyclic, acyclic and remote frame dependent
PDO Mapping	Dynamic PDO mapping
No. of SDOs	One Server SDO
CANopen Version	CIA standard DS 301 version 4.0
Device Profile	CIA standard DS 401 version 2.0
Certification from CIA	No

Messung Systems Pvt. Ltd.

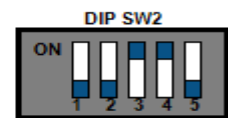
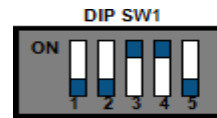
501 Lunkad Sky Vista, Viman Nagar, Pune 411 014, India.

T: +91 20 6649 2800 | e: info@messung.com | w: www.messung.com

CANopen Slave Configuration DIP

Switch Steps:

1. Switch S1-7 for address and switch S8-10 for baud rate
2. Adjust the DIP switch according to requirements. Refer below image.

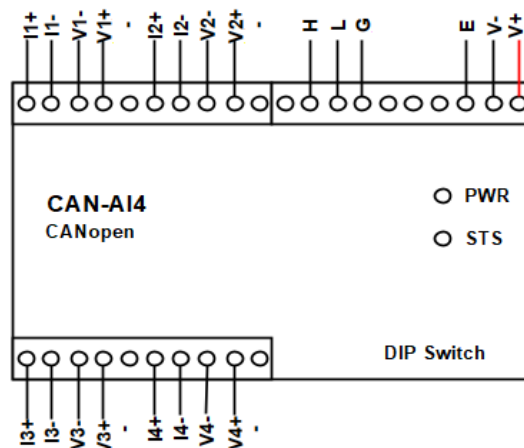


SWITCH 1 -7							
NODE ID Configuration							
NODE ID	Switch1	Switch2	Switch3	Switch4	Switch5	Switch6	Switch7
Programmable ID	OFF	OFF	OFF	OFF	OFF	OFF	OFF
1	ON	OFF	OFF	OFF	OFF	OFF	OFF
2	OFF	ON	OFF	OFF	OFF	OFF	OFF
3	ON	ON	OFF	OFF	OFF	OFF	OFF
...
127	ON	ON	ON	ON	ON	ON	ON

SWITCH 8 -10			
Baud Rate Configuration			
BAUD RATE	Switch8	Switch9	Switch10
1 Mbit/sec	OFF	OFF	OFF
800 Kbit/sec	ON	OFF	OFF
500 Kbit/sec	OFF	ON	OFF
250 Kbit/sec	ON	ON	OFF
125 Kbit/sec	OFF	OFF	ON
50 Kbit/sec	ON	OFF	ON
20 Kbit/sec	OFF	ON	ON

SWITCH 11
 TERMINATION 120OHM

Wiring Diagram:



SAFETY INSTRUCTIONS

- Installation should only be performed by qualified professionals according to the laws and regulations.
- Do not connect the mains voltage nor any other external voltage to any point of the CAN connector; it would represent a risk for the entire system. The facility must have enough insulation between the mains (or auxiliary) voltage and the Modbus or the wires of other accessories, in case of being installed.
- Keep the device away from water and do not cover it with clothes, paper or any other material while in use.



Messung Systems Pvt. Ltd.

501 Lunkad Sky Vista, Viman Nagar, Pune 411 014, India.

T: +91 20 6649 2800 | e: info@messung.com | w: www.messung.com

